

MAINTENANCE AND INSTALLATION INSTRUCTIONS

AIR FRESHENER 30-305

SERIES LOBO

AIR-WOLF GmbH
Waschraum- und Hygienetechnik
Unterhachinger Straße 75
D-81737 München
Telefon +49 (89) 420790 -10
Telefax +49 (89) 420790 -70
air-wolf@air-wolf.de
www.air-wolf.de
Ein Unternehmen der
Wolf-Gruppe

AIR-WOLF

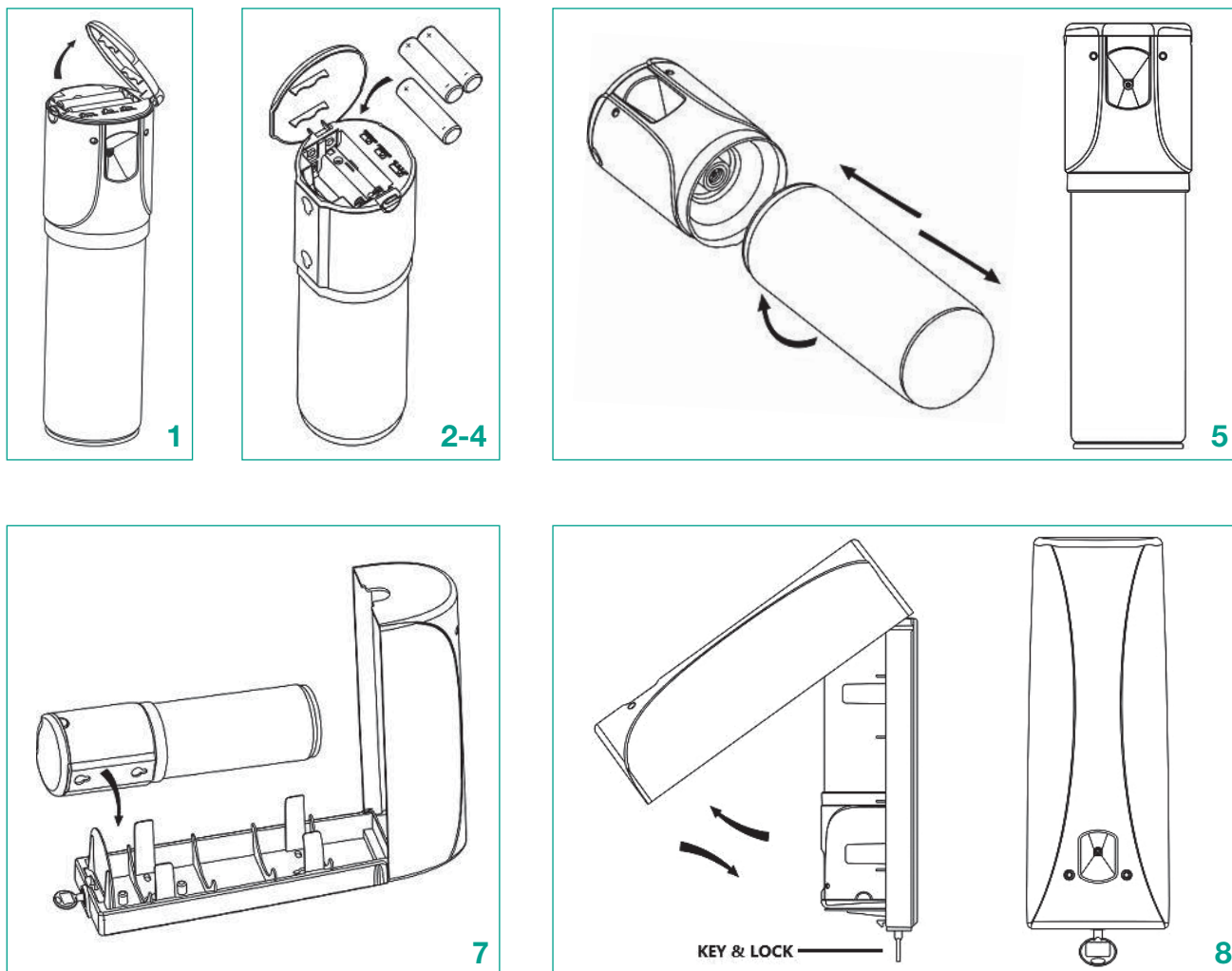


1. To open the dispenser turn the key.



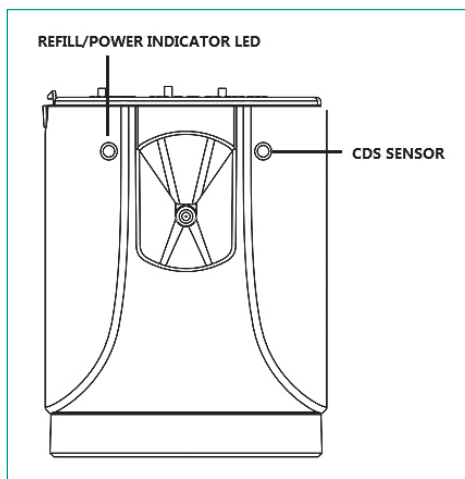
2. Press the button to open the case.

At first the dispenser is closed. Press the button at the bottom to open it.

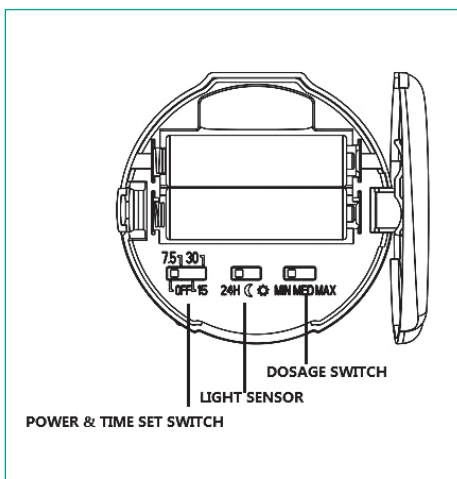


INSTALLATION INSTRUCTIONS

- 1) Open the top cap by pressing the small button on the side, and confirm the power switch is in the state of OFF, and then load three "AA" batteries, we suggest using alkaline batteries to make it more effective.
- 2) User can adjust and set up spray interval from 7.5/15/30 minutes as required.
- 3) Similarly, user can adjust the size of spray according to different condition by max./med./min.
- 4) Diagram 2-4 shows how to put the batteries into the right position of battery housing.
- 5) While loading or releasing the refill, user could put the valve of the refill into the housing of the power head to screw upward or outward. See diagram 5.
- 6) Changing the switch from OFF to 7.5, 15 or 30 turns the power on.
- 7) When the refill is screwed firmly inside the power head, user can put it inside the case cover, the two mounted holes on the back of power head should be inserted into the two stems on the base of case. See diagram 7.
- 8) At first the dispenser is closed. Press the button at the bottom to open it. The key is inside the case. By using the key, user can open and lock the case.



Power Indicator



Photocell

FUNCTION PARAMETER

- When turning on power from OFF to 7.5/15/30, the dispenser will activate and spray once to response, don't face toward the refill when power is on.

7.5 Set up spray interval by every 7.5 minutes.

15 Set up spray interval by every 15 minutes.

30 Set up spray interval by every 30 minutes.

- Dosage switch

max. one 400 ml could spray ca. 1.500 times

med. one 400 ml could spray ca. 3.000 times

min. one 400 ml could spray ca. 6.000 times

Range the Spray

max. ca. 85-90 cm

med. ca. 70 cm

min. ca. 50 cm

Life cycle of the can

	7.5 min. range	15 min. range	30 min. range
max. (ca. 1.500 sprays)	7.5 days	15.5 days	31.5 days
med. (ca. 3.000 sprays)	15.5 days	31.25 days	62.5 days
min. (ca. 6.000 sprays)	31.25 days	62.5 days	125 days

- Refill/Power indicator LED

This is a green/red multicolour LED, when power is on, it would blink in green by every 10 seconds, and when the refill is used up (when the spray times of the refill has beyond the maximum spray times against max./med./min. setting), it would blink in red in every 1 second to remind of changing a new refill.

- How the reset the spray count

After changing a new refill, user need to turn the switch to the state of OFF and then turn it back the interval that required, this action could reset the spray counts to zero and calculate once again.