

ART. 60-176

## WASTE BIN, 50 LITRES

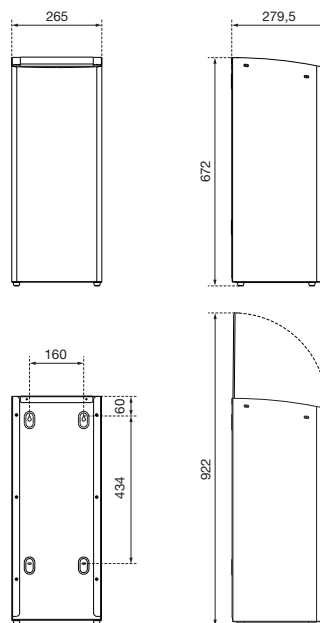
ALPHA SERIES

AIR-WOLF GmbH  
Waschraum- und Hygienetechnik  
Unterhacher Strasse 75  
D-81737 München

Telefon +49 (89) 420790-10  
Telefax +49 (89) 420790-70  
air-wolf@air-wolf.de  
www.air-wolf.de

Ein Unternehmen der  
Wolf-Gruppe

**AIR-WOLF**



### TENDER TEXT

Waste bin with a 50-liter capacity, brushed stainless steel, rectangular shape with rounded edges, with an internal bag holder for concealed attachment of the waste bag, four-point mounting, including mounting hardware, for surface mounting or freestanding installation

### DIMENSIONS

H x W x D 672 x 265 x 280 mm  
Weight 7.45 kg

### AREAS OF APPLICATION

Universally applicable, even in public, high-traffic, and vandal-prone areas: airports, stadiums, event venues, restaurants, universities, night-clubs, municipal buildings, shops, law firms, offices, theaters, cinemas, hotels, spas, etc.

### MOUNTING TIP

People are often in a hurry and avoid detours. Therefore, install paper towel dispensers and corresponding waste bins, ideally stacked on top of each other and along the direct route between the washbasin and the exit.

### OPTIONAL - MATCHING WASTE BAGS

Waste bags made of LDPE,  
transparent, side-folded,  
tear- and puncture-resistant  
high tensile and moisture resistance  
L x W: 1,085 x 705 mm, circumference: 1,410 mm  
10 rolls of 25 bags each per carton, 250 bags total  
Item no. 22-444

### ALTERNATIVE SURFACE DESIGNS

AIR-WOLF Waste bin  
Black coated stainless steel, Art. 60-175

AIR-WOLF Waste bin  
White coated stainless steel, Art. 60-177

AIR-WOLF Waste bin  
Matt white coated stainless steel, Art. 60-360

AIR-WOLF Waste bin  
Blue-green coated stainless steel, Art. 60-361

AIR-WOLF Waste bin  
Brass-colored coated stainless steel, Art. 60-362



Art. 60-175



Art. 60-177



Art. 60-360



Art. 60-361



Art. 60-362