

ART. 60-310

## SOAP AND DISINFECTANT DISPENSER WITH SENSOR, 0.5 LITER

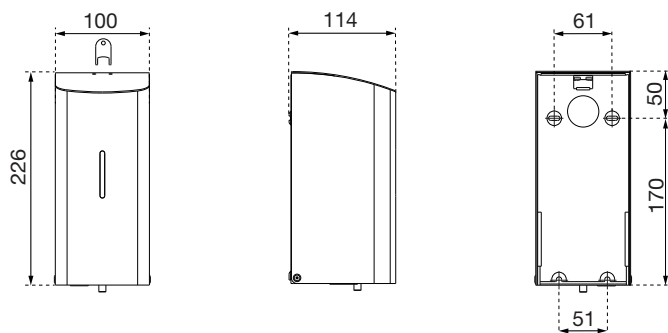
ALPHA SERIES

AIR-WOLF GmbH  
Waschraum- und Hygienetechnik  
Unterhacher Strasse 75  
D-81737 München

Telefon +49 (89) 420790-10  
Telefax +49 (89) 420790-70  
air-wolf@air-wolf.de  
www.air-wolf.de

Ein Unternehmen der  
Wolf-Gruppe

**AIR-WOLF**



### TENDER SPECIFICATION

Soap and disinfectant dispenser with sensor for 500 ml liquid soap and hand disinfectant, matt white coated stainless steel, RAL 9003, inner container and pump unit replaceable, convertible into foam soap or spray pump dispenser by replacing the pump, filling from above directly in the dispenser itself or by removing the refill container for filling outside the dispenser, pump made of plastic with low-lying suction position for complete emptying of the filling material, automatic triggering by infrared sensor, dosing quantity approx. 0.8-1.1 ml / stroke, with standard lock and filling level indicator, mains-independent, battery-operated with four 1.5 volt batteries (4 included in delivery), four-point fixing, including fixing material and key, for surface mounting

### DIMENSIONS

H x W x D 226 x 100 x 114 mm  
Weight 1,45 kg

### AREAS OF APPLICATION

Universally applicable, also in public, highly frequented and vandalism-prone areas: Airports, stadiums, event halls, gastronomy, schools, universities, discotheques, municipal buildings, retail stores, law firms, offices, theaters, cinemas, hotels, wellness, etc.

### MOUNTING TIP

If possible, mount the dispenser directly above the washstand, a storage surface or drip tray. In this way, liquid dripping from the hands cannot cause a risk of slipping on the floor. When mounting, please ensure that the distance between the bottom edge of the dispenser and the wash-basin is at least 8 cm.

### ALTERNATIVE SURFACE FINISHES

Soap and disinfectant dispenser  
Brushed stainless steel, Art. 60-200

Soap and disinfectant dispenser  
Black coated stainless steel, Art. 60-201

Soap and disinfectant dispenser  
White coated stainless steel, Art. 60-202

Soap and disinfectant dispenser  
Blue-green coated stainless steel, Art. 60-311

Soap and disinfectant dispenser  
Brass-colored coated stainless steel, Art. 60-312



Art. 60-200



Art. 60-201



Art. 60-202



Art. 60-311



Art. 60-312