

ART. 10-031

## HAND DRYER, SERIES B

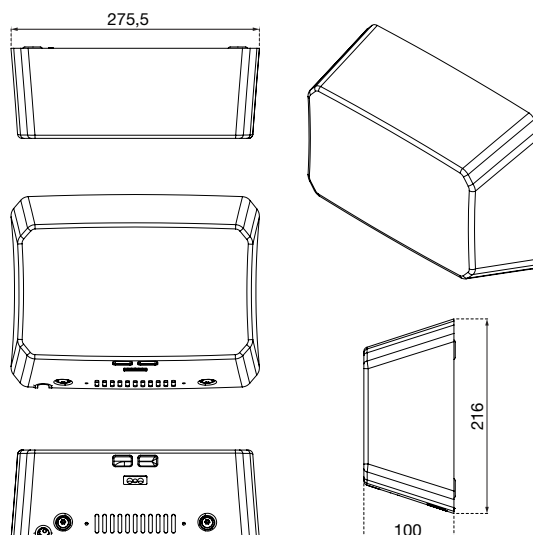
B 31

AIR-WOLF GmbH  
Waschraum- und Hygienetechnik  
Unterhachinger Strasse 75  
D-81737 München

Telefon +49 (89) 420790-10  
Telefax +49 (89) 420790-70  
air-wolf@air-wolf.de  
www.air-wolf.de

Ein Unternehmen der  
Wolf-Gruppe

**AIR-WOLF**



### TECHNISCHE DATEN

Air volume	89 - 105 m <sup>3</sup> /h
Air velocity	252 - 295,20 km/h
Air temperature	55 °C (100 mm after air outlet, at 25 °C room temperature)
Power rating motor	325 - 500 W (adjustable)
Power rating heater	0 - 500 W (adjustable)
Total power	325 - 1,000 W (adjustable)
Consumption	1.85 - 4.2 A
Voltage	220 - 240 V
Frequency	50/60 Hz
Noise level	74.6 dB +/- 3 dB @ 1 m
Motor rotation per minute	22,000 - 29,000
Motor type	Universalmotor
Base plate material	Metal
Sensor range	100 mm bis 230 mm adjustable; standard 170 mm ± 20 mm
Electrical isolation	Class 1
Protection level	IP 24
Motor fuse	Thermal fuse 95 Grad
Heating element fuse	Thermal fuse 85 Grad

### TENDER TEXT

Warm-air hand dryer B 31, especially suitable for semi-public washrooms with higher user frequency, operation automatically by infrared sensor, sensor range adjustable, 100 to 230 mm, standard 170 mm ± 20 mm, running time up to approx. 1 second after removal of hands, maximum 60 seconds after switching on, Housing material 1.2 mm stainless steel, Housing surface brushed stainless steel, Air speed 252-295.2 kmh (adjustable), Air temperature 55° Celsius (100 mm after air outlet, at 25° Celsius room temperature), Hand drying time approx. 10-15 seconds, Motor power 325 to 500 watt, Heating element power 0 or 500 Watt (can be switched off), Total power 325 to 1.000 watt (adjustable), Current max. 1.85 - 4.2 A, Voltage 220 to 240 volts, Frequency 50/60 Hz, Operating

noise 71.6 to 77.6 decibels (can be reduced), Motor revolutions 22,000-29,000 revolutions per minute (adjustable), Motor type Universal motor, electrical isolation class I, Protection class IP 24, Mounting with 4-point screw connection, Power connection concealed on flush-mounted box or with flexible cable (included in scope of delivery, length 1.1 m), Weight 3.8 kg, Test mark CE, GS, EMC, LVD, RoHS, For surface mounting

### DIMENSIONS

H x W x D 216 x 275,5 x 100 mm  
Weight 3.8 kg

### APPLICATION AREAS

Universal applicable, also in public, strongly popular and vandalism-threatend areas: Airports, Stadiums, Concert Halls, Restaurants, Schools, Universities, Clubs, Community Buildings, Theaters, Cinemas, Hotels, Wellness etc.

### MOUNTING HEIGHTS

Recommended mounting height for Hand Dryers is 1,200 mm (Under edge to floor).

### ALTERNATIVE CASING FINISH

hand dryer B 30

White powder coated stainless steel, Art. 10-030

hand dryer B 32

Black powder coated stainless steel, Art. 10-032



Art. 10-030



Art. 10-032