

ART. 60-166

## HOOK RACK WITH 3 HOOKS

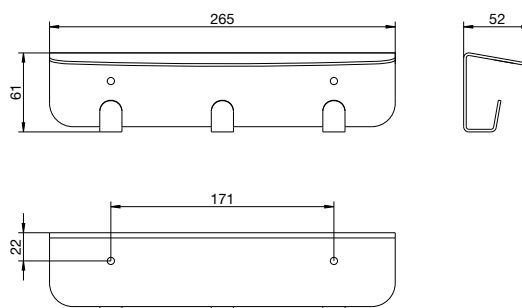
ALPHA SERIES

AIR-WOLF GmbH  
Waschraum- und Hygienetechnik  
Unterhacher Strasse 75  
D-81737 München

Telefon +49 (89) 420790-10  
Telefax +49 (89) 420790-70  
air-wolf@air-wolf.de  
www.air-wolf.de

Ein Unternehmen der  
Wolf-Gruppe

AIR-WOLF



### TENDER TEXT

Hook rack with 3 hooks, brushed stainless steel, two-point-mounting, mounting materials and key included, for surface installation

### DIMENSIONS

H x B x T 61 x 265 x 52 mm  
Weight 0,55 kg

### AREAS OF APPLICATION

Designed for universal use, including in public areas that are heavily frequented and at risk of vandalism: airports, stadiums, eventhalls, restaurant and food service industry, universities, nightclubs, communal buildings, shops, chambers, offices, theatres, cinemas, hotels, spas, etc.

### MOUNTING TIP

Because of their size and shape, hook racks can be a potential safety hazard. They should be mounted in such a way that visitors will not get injured.

### ALTERNATIVE SURFACE DESIGNS

AIR-WOLF hook rack with 3 hooks  
Black coated stainless steel, Art. 60-165

AIR-WOLF hook rack with 3 hooks  
White coated stainless steel, Art. 60-167



Art. 60-165



Art. 60-167