

ART. 20-091

PAPER TOWEL DISPENSER (FOR INSTALLATION)

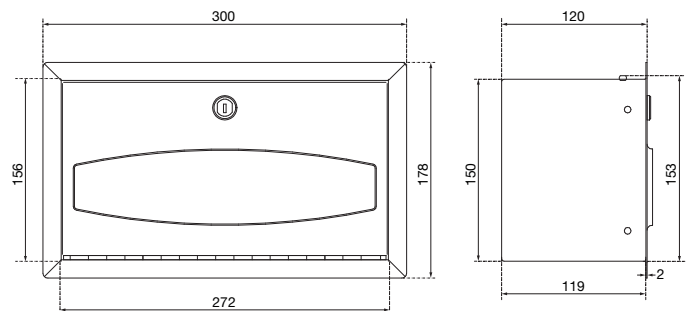
SERIE SIGMA

AIR-WOLF GmbH
Waschraum- und Hygienetechnik
Unterhachinger Strasse 75
D-81737 München

Telefon +49 (89) 420790-10
Telefax +49 (89) 420790-70
air-wolf@air-wolf.de
www.air-wolf.de

Ein Unternehmen der
Wolf-Gruppe

AIR-WOLF



TENDER TEXT

Paper towel dispenser for 185 paper folding towels, freely fillable with all commercially available folding towels, especially with C or Z fold, brushed stainless steel, for front removal, with viewing slot and cylinder lock, cover frame for flush-mounted installation or for installation in wash table

DIMENSIONS

H x W x D (overall dimension)	178 x 300 x 120 mm
H x W x D (visible)	178 x 300 x 2 mm
H x W x D (built-in)	153 x 272 x 119 mm
H x W x D (wall recess)	166 x 282 x 125 mm
weight	1.6 kg

APPLICATION AREAS

Applicable, in public areas with moderate visitor frequency and risk of vandalism: restaurants, schools, universities, communal buildings, hospitals, medical practices, nursing homes, shops, law offices, offices, theaters, cinemas, hotels, wellness etc.

MOUNTING TIP

People are often in a hurry and avoid detours. If possible, install paper towel dispensers and their respective waste containers on top of each other and on the direct path between the washbasin and the exit.

MATCHING PAPER TOWELS

Suitable paper towels in Z-fold can be found in our current catalog with the currently valid prices or on our homepage www.air-wolf.de