

ART. 36-000

## DISINFECTANT AND SOAP DISPENSER

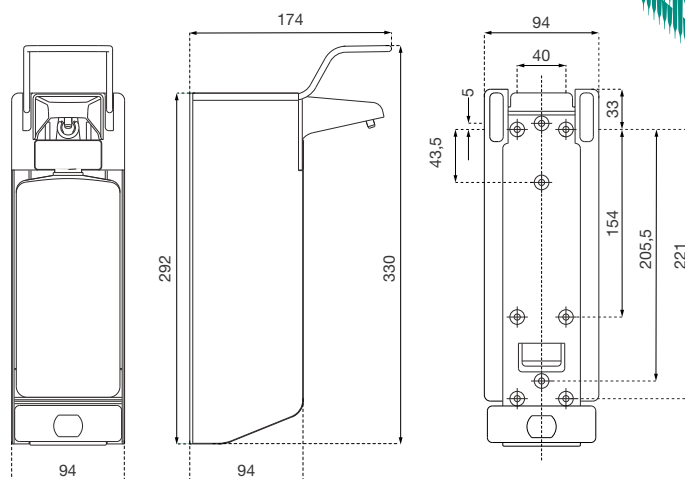
SERIE OMIKRON II

AIR-WOLF GmbH  
Waschraum- und Hygienetechnik  
Unterhachinger Strasse 75  
D-81737 München

Telefon +49 (89) 420790-10  
Telefax +49 (89) 420790-70  
air-wolf@air-wolf.de  
www.air-wolf.de

Ein Unternehmen der  
Wolf-Gruppe

**AIR-WOLF**



### TENDER TEXT

Disinfectant and soap dispenser, dispenser housing in matt anodised aluminium, without closure panel, for 1000 ml refill or disposable bottles, with one empty standard bottle 28 mm, with short operating lever in stainless steel, exchangeable plastic dosing pump, dosing rate approx. 1.5 ml/stroke, adjustable in 2 steps, housing autoclavable up to 121°C, plastic wall holder, with 2 exchangeable clips for identification, four-point fixing, including fixing material, for surface mounting

### DIMENSIONS

H x W x D (with operating lever)	330 x 94 x 174 mm
H x W x D (without operating lever)	292 x 94 x 94 mm
Weight	1.00 kg

### APPLICATION AREAS

Universally applicable, even in public, highly frequented and vandalism endangered areas: Airports, stadiums, event halls, gastronomy, schools, universities, discotheques, municipal buildings, doctor's surgeries, hospitals, shops, law firms, offices, theatres, cinemas, hotels, wellness, physiotherapy, kitchens, food processing etc.

### MOUNTING TIP

Mount the disinfectant and soap dispenser if possible directly above the washstand, a shelf or drip tray. This way, liquid dripping from hands cannot cause slipping on the floor. The dispenser should also be positioned so that it can be refilled easily.

### SUITABLE DISINFECTANTS AND WASHING LOTIONS

Suitable disinfectants and washing lotions can be found in our current catalogue with the currently valid prices or on our homepage [www.air-wolf.de](http://www.air-wolf.de)