

ART. 25-894

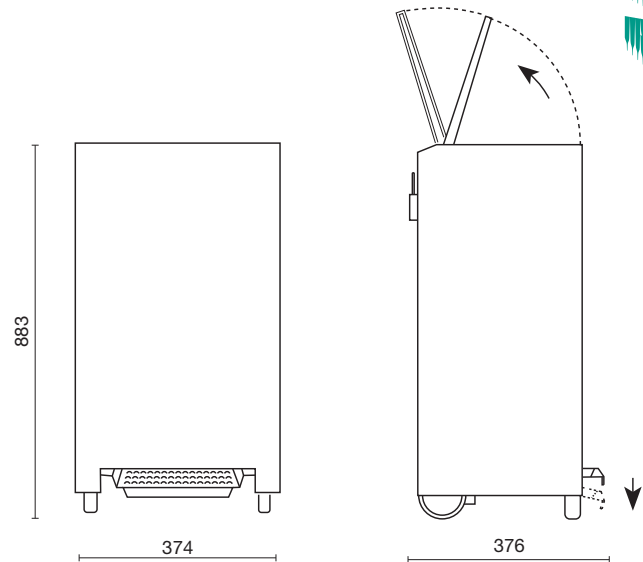
## PEDAL BIN WITH FOOT PEDAL

SERIES OMIKRON

AIR-WOLF GmbH  
Waschraum- und Hygienetechnik  
Unterhachinger Strasse 75  
D-81737 München  
Telefon +49 (89) 420790-10  
Telefax +49 (89) 420790-70  
air-wolf@air-wolf.de  
www.air-wolf.de

Ein Unternehmen der  
Wolf-Gruppe

**AIR-WOLF**



### TENDER TEXT

Pedal bin with 70 litre volume, for waste of all kinds, especially in the medical sector for contact-free disposal of septic material, with foot-operated access flap made of stainless steel, access flap slowly and silently self-closing, with internal bag holder for concealed fastening of the waste bag, height-adjustable transport handle, with anti-slip rubber feet, brushed stainless steel, fire-retardant, free-standing

### DIMENSIONS

H x W x D	883 x 374 x 376 mm
Weight	14.2 kg

### APPLICATION AREAS

Designed for universal use including heavily frequented public areas with a high risk of vandalism like: airports, stadiums, eventhalls, restaurants and food industry, schools, universities, clubs, community buildings, hospitals, shops, offices, theaters, cinemas, hotels, wellness, physio therapy, kitchens, etc.

### MOUNTING TIP

People are often in a hurry and avoid detours. If possible, place the waste bin underneath the corresponding paper towel dispenser and on the direct path between e.g. washstand and exit.

### RECOMMENDED WASTE BAGS

You can find suitable waste bags in our current catalogue with currently valid prices or you can visit our website [www.air-wolf.de](http://www.air-wolf.de)