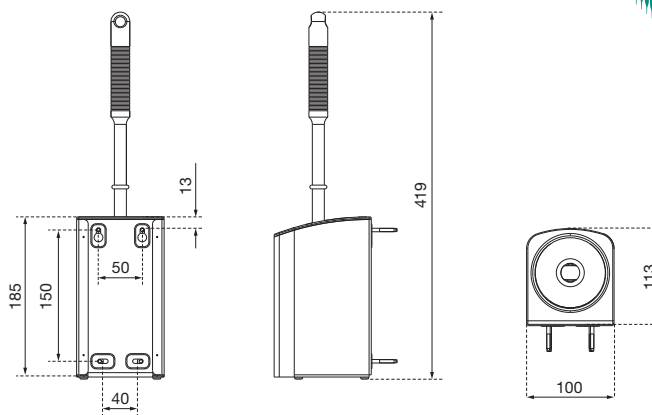


ART. 60-130

TOILET BRUSH HOLDER

ALPHA SERIES

AIR-WOLF GmbH
 Waschraum- und Hygienetechnik
 Unterhachinger Strasse 75
 D-81737 München
 Telefon +49 (89) 420790-10
 Telefax +49 (89) 420790-70
 air-wolf@air-wolf.de
 www.air-wolf.de
 Ein Unternehmen der
 Wolf-Gruppe



TENDER TEXT

Toilet brush holder with hidden brush head, top open version, removal of brush bottom-up, housing made of white coated stainless steel, RAL 9003, inner drip pot and brush made of black plastic, inner drip pot can be removed for cleaning, four-point mounting, including mounting materials, for wall mounting or stand-alone on the floor

DIMENSIONS

H x W x D 185 x 100 x 113 mm (without handle)
 H x W x D 419 x 100 x 113 mm (with handle)
 Gewicht 0,9 kg

AREAS OF APPLICATION

Designed for universal use, including in public areas that are heavily frequented and at risk of vandalism: airports, stadiums, eventhalls, restaurant and food service industry, universities, nightclubs, communal buildings, shops, chambers, offices, theatres, cinemas, hotels, spas, etc.,

MOUNTING TIP

To avoid hindering the cleaning of critical areas around the toilet seat, the toilet brush holder should be mounted on the wall but not hinder the user. To ensure the toilet brush is also actually used, it should be accessible to a user standing in front of the toilet seat by stooping slightly.

ALTERNATIVE SURFACE DESIGNS

- AIR-WOLF Toilet Brush Holder
Black coated stainless steel, Art. 60-128
- AIR-WOLF Toilet Brush Holder
Brushed stainless steel, Art. 60-129
- AIR-WOLF Toilet Brush Holder
Matt white coated stainless steel, Art. 60-420
- AIR-WOLF Toilet Brush Holder
Blue-green coated stainless steel, Art. 60-421
- AIR-WOLF Toilet Brush Holder
Brass-colored coated stainless steel, Art. 60-422



Art. 60-128



Art. 60-129



Art. 60-420



Art. 60-421



Art. 60-422