

ART. 10-670

HAND DRYER, SERIES T

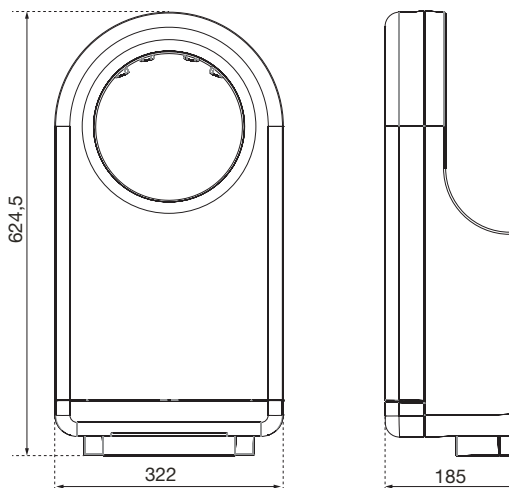
T 670

AIR-WOLF GmbH
Waschraum- und Hygienetechnik
Unterhachinger Strasse 75
D-81737 München

Telefon +49 (89) 420790-10
Telefax +49 (89) 420790-70
air-wolf@air-wolf.de
www.air-wolf.de

Ein Unternehmen der
Wolf-Gruppe

AIR-WOLF



TECHNICAL SPECIFICATIONS

Air volume	112 to 134 m ³ /h (adjustable)
Air velocity	270 to 324 km/h (adjustable)
Air temperature	55 °C (100 mm after air outlet, at 25 °C room temperature)
Power rating motor	450 to 700 W (adjustable)
Power rating heater	0 or 900 W (adjustable, switchable)
Total power	450 to 1600 W (adjustable)
Consumption	2,55 to 6,7 A
Voltage	220 to 240 V
Frequency	50/60 Hz
Noise level	75,4 +/- 3 dB @ 1 m
Motor rotation per minute	12,000 bis 18,000
Motor type	Universal motor
Base plate material	Plastic (mounting bracket: metal)
Sensor range	100 mm to 230 mm adjustable; standard 170 mm ± 20 mm
Electrical isolation	Class I
Protection level	IP 23
Motor fuse	Thermal fuse 95°C
Heating element fuse	Thermal fuse 85°C

TENDER TEXT

T 670 hand dryer, for all applications, with very good drying performance, also suitable for the highest user frequency, can be used in many areas due to antibacterial material, filter and water collection container, operation automatic by triggering infrared sensors when hands are inserted contactlessly into the large, illuminated and easily visible round opening, ergonomic hand drying due to convenient horizontal insertion of hands into the drying area, noise emission can be reduced in sensitive installation situations, hand drying time with standard setting approx. 10-15 seconds, running time after removal of hands 2 seconds, automatic switch-off after 60 seconds, housing material 3.0 mm impact-resistant ABS, housing surface black, regulation and switch-off of heating element possible, air intake from below via replaceable filter, filter unit consisting of antibacterial filter, Activated carbon filter and HEPA filter for eliminating odours and bacteria and cleaning the room air, water-absorbing ceramic plate for absorbing splash water, residual water is collected in removable water collection container, LED light at the opening indicates readiness

and operation, air speed up to 270-324 km/h (adjustable), air temperature 55° Celsius (100 mm after air outlet), at 25° Celsius room temperature), Motor power 450 to 700 Watt (adjustable), Heating element power 450 to 900 Watt (can be switched on and off), Total power 450 to 1.600 Watt (adjustable), Current 2.55-6.7 A, Voltage 220 to 240 Volt, Frequency 50 or 60 Hertz, Operating noise 72.4 to 78.4 Decibel (adjustable), Motor revolutions 12,000-18.000 per minute, Motor type Universal motor, Protection class I, Protection class IP 23, Power connection concealed on flush-mounted box or with flexible cable, Weight 9.4 kg, Wall bracket with eight-point fixing, Anti-theft device with concealed screw connection, CE, GS, EMC, LVD, RoHS, UL approval mark, For surface mounting

DIMENSIONS

H x W x D 624,5 x 322 x 185 mm
Weight 9.4 kg

APPLICATION AREAS:

Universally applicable, also in public, high frequency and vandalism-prone areas: Catering, Schools, Local authorities, Shops, Offices, Theatres, Cinemas, Hotels, Recreational facilities, etc.

MOUNTING HEIGHTS

Recommended mounting heights for this hands down hand dryer are 650 mm to 750 mm (ground edge to floor).

ALTERNATIVE CASE FINISH

hand dryer T 650,
ABS white, Art. 10-650

hand dryer T 660,
ABS silver, Art. 10-660



Art. 10-650



Art. 10-660