

ART. 29-401

SOAP AND DISINFECTANT DISPENSER

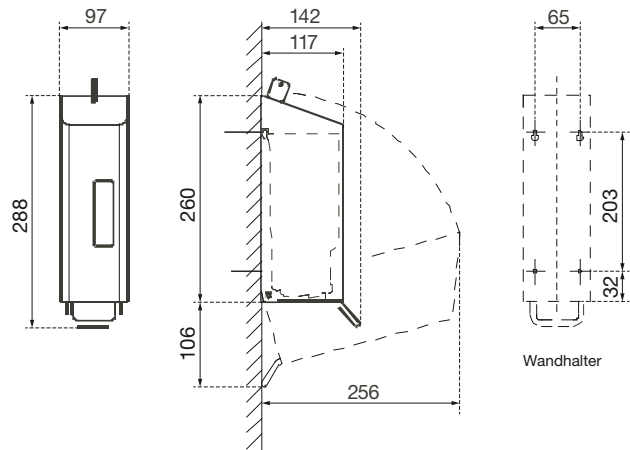
OMEGA SERIES

AIR-WOLF GmbH
Waschraum- und Hygienetechnik
Unterhachinger Strasse 75
D-81737 München

Telefon +49 (89) 420790-10
Telefax +49 (89) 420790-70
air-wolf@air-wolf.de
www.air-wolf.de

Ein Unternehmen der
Wolf-Gruppe

AIR-WOLF



TENDER TEXT

Soap and disinfectant dispenser for 600 ml liquid soap or disinfectant, white coated stainless steel housing, RAL 9016, stainless steel lever and removable plastic container, operated manually, dosage amount approx. 1.5 ml/stroke, with standard lock and fill display, filled by unlocking and folding open the front, then pouring the medium into the container or by removing the refill container to fill it outside of the dispenser, exchangeable plastic pump at the lowest point so that potential contamination of the liquid soap can be prevented by regular and complete emptying, oblique top to prevent objects being put down, four-point mounting, mounting materials and key included, for surface installation

DIMENSIONS

H x W x D (including lever)	288 x 97 x 142 mm
H x W x D (excluding lever)	260 x 97 x 117 mm
Weight	1.1 kg

AREAS OF APPLICATION

Designed for universal use, including in public areas that are heavily frequented and at risk of vandalism: airports, stadiums, eventhalls, restaurant and food service industry, universities, nightclubs, communal buildings, shops, chambers, offices, theatres, cinemas, hotels, spas, etc., not suitable for kindergartens and primary schools

MOUNTING TIP

Install soap dispensers directly above the washbasin or shelf space if possible. This way liquid soap that drops from hands does not cause a slipping hazard on the floor.

ALTERNATIVE SURFACE DESIGNS

AIR-WOLF Soap and disinfectant dispenser, Brushed stainless steel, 0,6 Litre-Container, Art. 29-201

AIR-WOLF Soap and disinfectant dispenser, Black coated stainless steel, 0,6 Litre-Container, Art. 29-501



Art. 29-201



Art. 29-501

REPLACABLE PUMP

The soap and disinfectant dispenser can be converted to a foaming soap dispenser at any point by simply replacing the pump.

Soap and disinfectant pump, Art. 27-905
foaming soap pump, Art. 27-906



Art. 27-905



Art. 27-906