

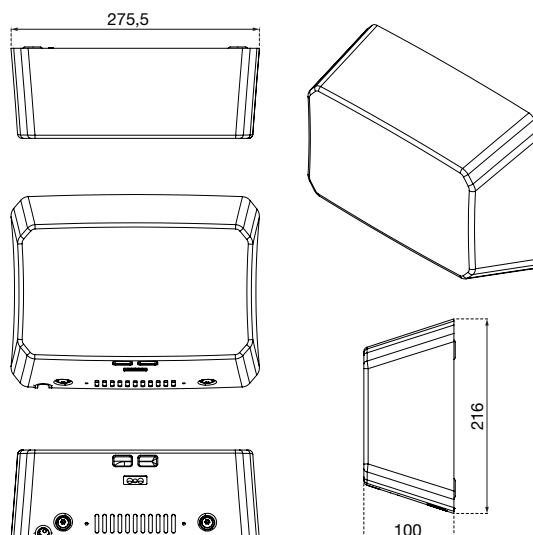
HAND DRYER, SERIES B

B 32

AIR-WOLF GmbH
Waschraum- und Hygienetechnik
Unterhachinger Strasse 75
D-81737 München

Telefon +49 (89) 420790-10
Telefax +49 (89) 420790-70
air-wolf@air-wolf.de
www.air-wolf.de

Ein Unternehmen der
Wolf-Gruppe

AIR-WOLF**TECHNISCHE DATEN**

Air volume	89 - 105 m ³ /h
Air velocity	252 - 295,20 km/h
Air temperature	55 °C (100 mm after air outlet, at 25 °C room temperature)
Power rating motor	325 - 500 W (adjustable)
Power rating heater	0 - 500 W (adjustable)
Total power	325 - 1,000 W (adjustable)
Consumption	1.85 - 4.2 A
Voltage	220 - 240 V
Frequency	50/60 Hz
Noise level	74.6 dB +/- 3 dB @ 1 m
Motor rotation per minute	22,000 - 29,000
Motor type	Universalmotor
Base plate material	Metal
Sensor range	100 mm bis 230 mm adjustable; standard 170 mm ± 20 mm
Electrical isolation	Class 1
Protection level	IP 24
Motor fuse	Thermal fuse 95 Grad
Heating element fuse	Thermal fuse 85 Grad

TENDER TEXT

Warm-air hand dryer B 32, especially suitable for semi-public washrooms with higher user frequency, operation automatically by infrared sensor, sensor range adjustable, 100 to 230 mm, standard 170 mm ± 20 mm, running time up to approx. 1 second after removal of hands, maximum 60 seconds after switching on, Housing material 1.2 mm stainless steel, Housing surface stainless steel matt black coated, Air speed 252-295.2 kmh (adjustable), Air temperature 55° Celsius (100 mm after air outlet, at 25° Celsius room temperature), Hand drying time approx. 10-15 seconds, Motor power 325 to 500 watt, Heating element power 0 or 500 watt (can be switched off), Total power 325 to 1.000 watt (adjustable), Current max. 1.85-4.2 A, Voltage 220 to 240 volts, Frequency 50/60 Hz, Operating

noise 71.6 to 77.6 decibels (can be reduced), Motor revolutions 22.000-29.000 revolutions per minute (adjustable), Motor type Universal motor, electrical isolation class I, Protection class IP 24, Mounting with 4-point screw connection, Power connection concealed on flush-mounted box or with flexible cable (included in delivery, length 1.1 m), Weight 3.8 kilograms, Test mark CE, GS, EMC, LVD, RoHS, For surface mounting

DIMENSIONS

H x W x D 216 x 275,5 x 100 mm
Weight 3.8 kg

APPLICATION AREAS

Universal applicable, also in public, strongly popular and vandalism-threatend areas: Airports, Stadiums, Concert Halls, Restaurants, Schools, Universities, Clubs, Community Buildings, Theaters, Cinemas, Hotels, Wellness etc.

MOUNTING HEIGHTS

Recommended mounting height for Hand Dryers is 1,200 mm (Under edge to floor).

ALTERNATIVE CASING FINISH

hand dryer B 30

White powder coated stainless steel, Art. 10-030

hand dryer B 31

Brushed stainless steel, Art. 10-031



Art. 10-030



Art. 10-031