

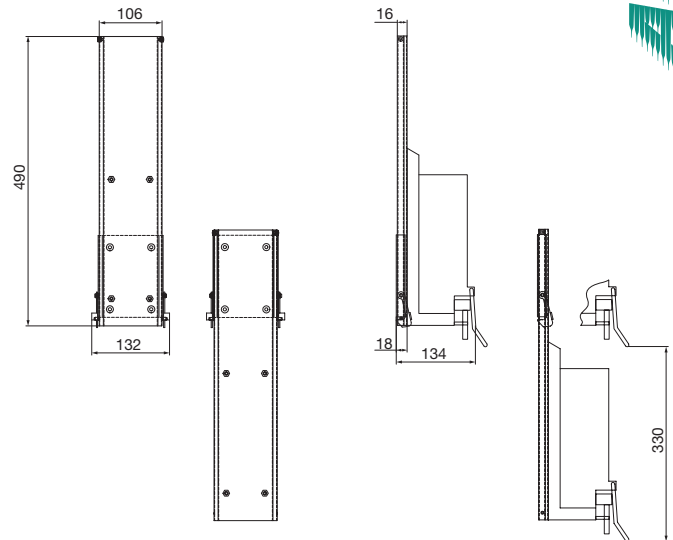
GUIDING RAIL FÜR SOAP DISPENSER

SIGMA SERIES

AIR-WOLF GmbH
Waschraum- und Hygienetechnik
Unterhachinger Strasse 75
D-81737 München

Telefon +49 (89) 420790-10
Telefax +49 (89) 420790-70
air-wolf@air-wolf.de
www.air-wolf.de

Ein Unternehmen der
Wolf-Gruppe

AIR-WOLF**TENDER TEXT**

Guiding rail for Art. 25-213, 25-214, 25-215 and 25-716, for built-in installation, e.g. behind a mirror or in a cupboard, dispenser to be fixed to the guiding rail with four screws, pulling down the guiding rail by unlocking the hooks on both sides, filling or changing the dispenser by pulling down the guiding rail, four-point-mounting

DIMENSIONS

H x W x D	490 x 132 x 18 mm
Slide travel	330 mm
Weight	0,8 kg

MATCHING DISPENSER

built-in soap- and disinfectant dispenser, Serie Omega, Art. 25-213
built-in disinfectant dispenser, Serie Omega, Art. 25-214
built-in foam soap dispenser, Serie Omega, Art. 25-215
built-in soap- and disinfectant dispenser, Serie Omikron, Art. 25-716



Art. 25-213



Art. 25-214



Guiding rail with dispenser. Please be aware of the minimum distance between dispenser and washbasin to ensure proper functionality.



Art. 25-215



Art. 25-716