

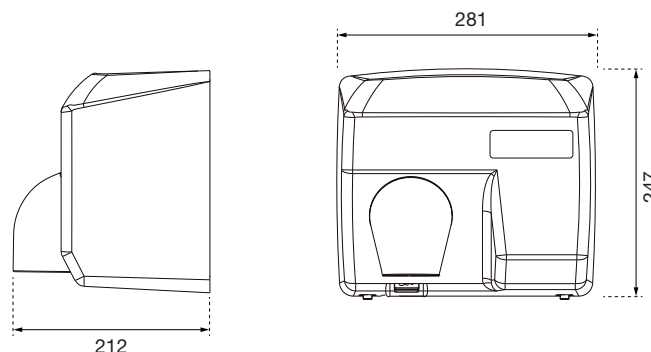
HAND DRYER, SERIES E

E 405

AIR-WOLF GmbH
Waschraum- und Hygienetechnik
Unterhachinger Strasse 75
D-81737 München

Telefon +49 (89) 420790-10
Telefax +49 (89) 420790-70
air-wolf@air-wolf.de
www.air-wolf.de

Ein Unternehmen der
Wolf-Gruppe

AIR-WOLF**TECHNICAL SPECIFICATIONS**

Air volume	345 m ³ /h
Air velocity	100.8 km/h
Air temperature	60 °C (100 mm after air outlet, at 25 °C room temperature)
Power rating motor	200 W
Power rating heater	2,000 - 2,400 W
Total power	2,200 - 2,400 W
Consumption	10 A
Voltage	220 - 240 V
Frequency	50/60 Hz
Noise level	70 dB +/- 3 dB @ 1 m
Motor rotation per minute	5,500
Motor type	Universal motor
Base plate material	Aluminium
Electrical isolation	Class I
Protection level	IP 23
Motor fuse	Thermal fuse 105 °C
Heating element fuse	Thermal fuse 65 °C

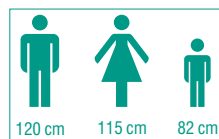
Weight 7.0 kg, Anti-theft device with special housing screws, For surface mounting, Test mark CE, GS, EMV, LVD, RoHS, UL

DIMENSIONS

H x W x T 247 x 281 x 212 mm
Weight 7,0 kg

APPLICATION AREAS

Universally applicable also in public, strongly popular and vandalism threatened areas: airports, stadium, event hall, catering, schools, universities, discotheques, local authorities, shops, chambers, offices, theatres, cinemas, hotels, wellness and etc.

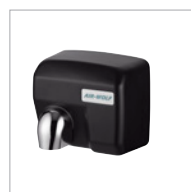
**INSTALLATION HEIGHTS**

Recommended assembly heights for AIR-WOLF hand dryer Serie E from the floor to the ground edge of the device:

ALTERNATIVE SURFACE FINISH

hand dryer E 404
Steel black enamelled, Art. 10-404

hand dryer E 225
Steel white, Art. 10-225



Art. 10-404



Art. 10-225

TENDER TEXT

Warm-air hand dryer B 30, especially suitable for semi-public washrooms with higher user frequency, operation automatically by infrared sensor, sensor range adjustable, 100 to 300 mm, standard 170 mm ± 20 mm, running time up to approx. 2 seconds after removal of hands, Sensor release adjustable 100 to 300 mm, standard 170 mm ± 20 mm, Housing material 2.0 mm steel, Housing surface brushed and transparent powder-coated, Air speed 100.8 km/h, Air temperature 60° Celsius (100 mm after air outlet, at 25°Celsius room temperature), Hand drying time approx. 20-25 seconds, Motor power 200 Watt, Heating element power 2,000 -2,400 Watt, Total power 2,200 to 2,400 Watt, Current 10 A, Voltage 220 to 240 Volt, Frequency 50 or 60 Hertz, Operating noise 67-73 dB, Motor revolutions 5.500 per minute, Motor type Universal motor, electrical isolation class I, Protection class IP 23, Mounting with 4-point screw connection, Power connection concealed on flush-mounted box,