

ART. 40-400

## DRINKING FOUNTAIN

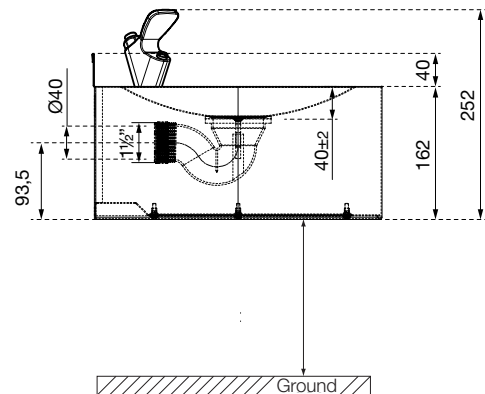
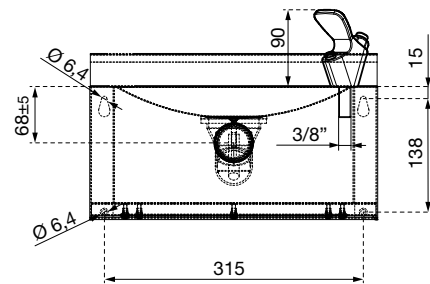
SERIES T

AIR-WOLF GmbH  
Waschraum- und Hygienetechnik  
Unterhachinger Strasse 75  
D-81737 München

Telefon +49 (89) 420790-10  
Telefax +49 (89) 420790-70  
air-wolf@air-wolf.de  
www.air-wolf.de

Ein Unternehmen der  
Wolf-Gruppe

**AIR-WOLF**



### TENDER TEXT

Drinking fountain with push-button fitting for triggering an arc-shaped water jet for hygienic, cup-free drinking directly from the jet, for line connection with cold water, wall basin made of stainless steel V2A brushed, drinking fitting according to NSF standard, drinking fitting with push-button operation, 3,8" water connection, waste water connection 1 1,2" concealed at the back, with integrated siphon, bottom plate removable for maintenance and secured with 10 Allen screws, 4-point fixing, weight 4.1 kilograms, for surface mounting

### DIMENSIONS

H x W x D: 252 x 350 x 350 mm with drinking faucet

H x W x D: 202 x 350 x 350 mm up to wall top edge

H x W x D: 162 x 350 x 350 mm basin

Basin diameter: 270 mm

### APPLICATION AREAS

Universal applicable, also in public, strongly popular and vandalism-threatend areas: Airports, Stadiums, Concert Halls, Restaurants, Schools, Universities, Clubs, Community Buildings, Theaters, Cinemas, Hotels, Wellness etc.

**The manufacturer accepts no liability for damage due to:**

**Non-observance of the instructions, improper use, during conversions and modifications to equipment, as well as the use of non-original parts.**

