

ART. 40-404

## DRINKING FOUNTAIN

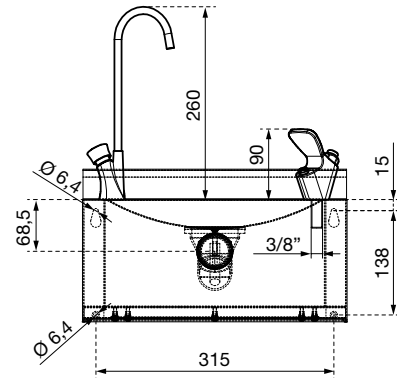
SERIES T

AIR-WOLF GmbH  
Waschraum- und Hygienetechnik  
Unterhacher Strasse 75  
D-81737 München

Telefon +49 (89) 420790-10  
Telefax +49 (89) 420790-70  
air-wolf@air-wolf.de  
www.air-wolf.de

Ein Unternehmen der  
Wolf-Gruppe

**AIR-WOLF**



### TENDER TEXT

Drinking fountain with push button and bottle filling fitting, for line connection with cold water, wall basin made of stainless steel V2A brushed, drinking fitting according to NSF standard, bottle filling fitting made of stainless steel, 3/8" water connection, waste water connection 1 1/2" concealed at the back, with integrated siphon, bottom plate removable for maintenance and secured with 10 Allen screws, 4-point mounting, weight 4.25 kilograms, for surface mounting

### DIMENSIONS

H x W x D: 422 x 350 x 350 mm with bottle filler  
H x W x D: 342 x 350 x 350 mm with drinking faucet  
H x W x D: 202 x 350 x 350 mm up to wall top edge  
H x W x D: 162 x 350 x 350 mm basin  
Basin diameter: 270 mm

### APPLICATION AREAS

Universal applicable, also in public, strongly popular and vandalism-threatend areas: Airports, Stadiums, Concert Halls, Restaurants, Schools, Universities, Clubs, Community Buildings, Theaters, Cinemas, Hotels, Wellness etc.

**The manufacturer accepts no liability for damage due to:**  
**Non-observance of the instructions, improper use, during conversions and modifications to equipment, as well as the use of non-original parts.**

