

ART. 60-101

## TOILET PAPER DISPENSER FOR 2 SMALL ROLLS

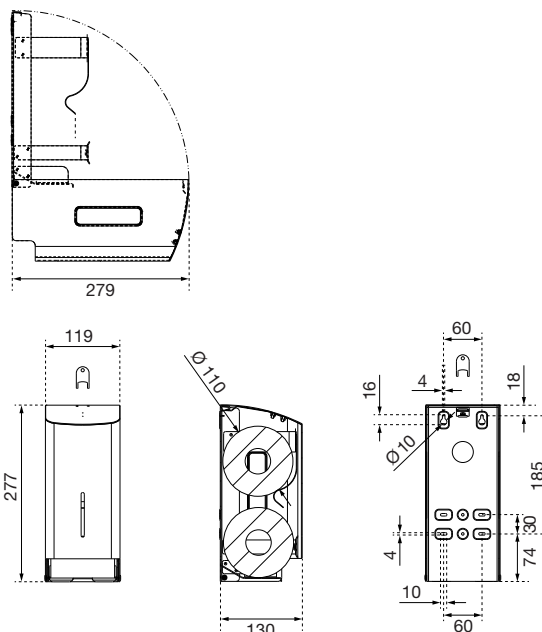
ALPHA SERIES

AIR-WOLF GmbH  
Waschraum- und Hygienetechnik  
Unterhachinger Strasse 75  
D-81737 München

Telefon +49 (89) 420790-10  
Telefax +49 (89) 420790-70  
air-wolf@air-wolf.de  
www.air-wolf.de

Ein Unternehmen der  
Wolf-Gruppe

**AIR-WOLF**



### TENDER TEXT

Toilet paper dispenser for two small toilet paper rolls, brushed stainless steel, with side slots for checking fill level and tracking the next roll, integrated holding brace for the second roll while the first roll is being unwound, empty cardboard tubes can be pulled out at the dispensing slot, refilled by folding down the cover, rounded top to prevent objects being put down, with standard lock, four-point mounting, including mounting materials and key, for wall mounting

### DIMENSIONS

H x W x D	277 x 119 x 130 mm
Roll diameter	max. 110 mm
Weight	1,70 kg

### AREAS OF APPLICATION

Designed for universal use, including in public areas that are heavily frequented and at risk of vandalism: airports, stadiums, eventhalls, restaurant and food service industry, universities, nightclubs, communal buildings, shops, chambers, offices, theatres, cinemas, hotels, spas, etc.

### MOUNTING TIP

Toilet paper dispensers should preferably be installed on the right as seen from the toilet seat. It should be easily within reach of both arms while seated. Investigations have shown that paper consumption falls considerably the deeper the dispenser is fastened to the wall.

### ALTERNATIVE SURFACE DESIGNS

AIR-WOLF Toilet Paper Dispenser  
Black coated stainless steel, Art. 60-100

AIR-WOLF Toilet Paper Dispenser  
White coated stainless steel, Art. 60-102



Art. 60-100



Art. 60-102