

ART. 60-135

WASTE BIN, 50 LITRES

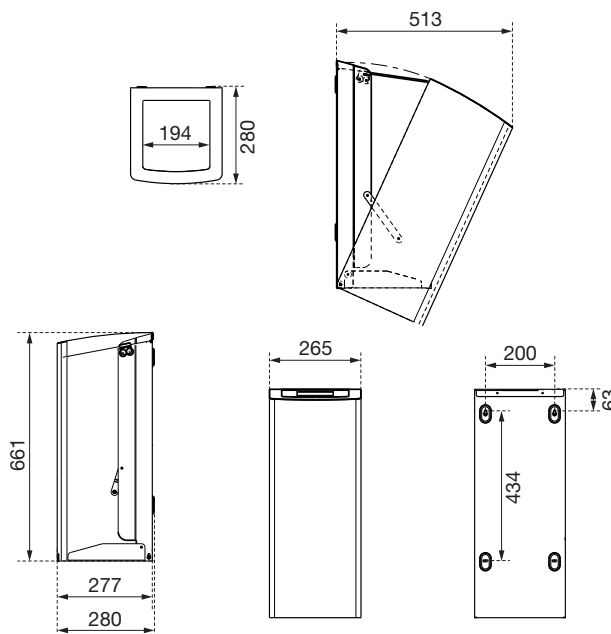
ALPHA SERIES

AIR-WOLF GmbH
Waschraum- und Hygienetechnik
Unterhacher Strasse 75
D-81737 München

Telefon +49 (89) 420790-10
Telefax +49 (89) 420790-70
air-wolf@air-wolf.de
www.air-wolf.de

Ein Unternehmen der
Wolf-Gruppe

AIR-WOLF



TENDER TEXT

Waste bin with 50 litre volume, brushed stainless steel, basic design rectangular with bevelled edges, with interior bag holder for hidden application of the waste bag, rubber feet for slip-protection, unlock and unfold the housing for emptying, four-point mounting, including key and mounting materials, for wall mounting

DIMENSIONS

H x W x D 661 x 265 x 280 mm
Weight 8,9 kg

AREAS OF APPLICATION

Designed for universal use, including in public areas that are heavily frequented and at risk of vandalism: airports, stadiums, eventhalls, restaurant and food service industry, universities, nightclubs, communal buildings, shops, chambers, offices, theatres, cinemas, hotels, spas, etc.

MOUNTING TIP

Because people are often in a hurry and tend to avoid detours, waste bins should be mounted/placed underneath the corresponding paper towel dispensers and between basin and door. We recommend mounting it to the wall with a minimum distance of 15 cms to the ground to facilitate cleaning.

ALTERNATIVE SURFACE DESIGNS

AIR-WOLF Waste Bin
Black coated stainless steel, Art. 60-134

AIR-WOLF Waste Bin
White coated stainless steel, Art. 60-136



Art. 60-134



Art. 60-136