

ART. 60-851

COAT HOOK RAIL (2 HOOKS)

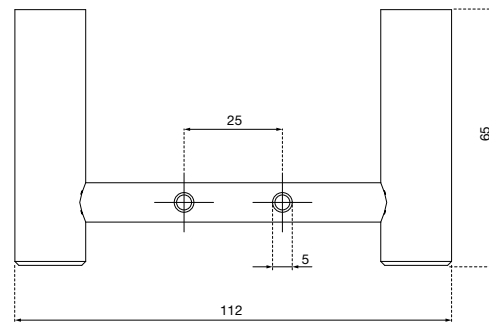
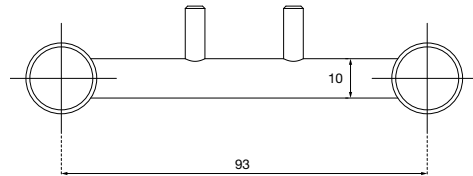
SERIE DELTA

AIR-WOLF GmbH
Waschraum- und Hygienetechnik
Unterhachinger Strasse 75
D-81737 München

Telefon +49 (89) 420790-10
Telefax +49 (89) 420790-70
air-wolf@air-wolf.de
www.air-wolf.de

Ein Unternehmen der
Wolf-Gruppe

AIR-WOLF



TENDER SPECIFICATION

Hook rail with 2 hooks made of matt stainless steel, with concealed fastening, including fastening material, for surface mounting

DIMENSIONS

H x W x D	27 x 112 x 65 mm
Weight	0,3 kg

AREAS OF APPLICATION

Universally applicable, also in public, highly frequented and vandalism-prone areas: Airports, stadiums, event halls, gastronomy, schools, universities, discotheques, municipal buildings, hospitals, retail stores, law firms, offices, theaters, cinemas, hotels, leisure facilities, wellness, etc.

MOUNTING TIP

Due to their size and shape, coat hooks are a potential hazard. Mount them in such a way that users cannot injure themselves on them.