

ART. 60-202

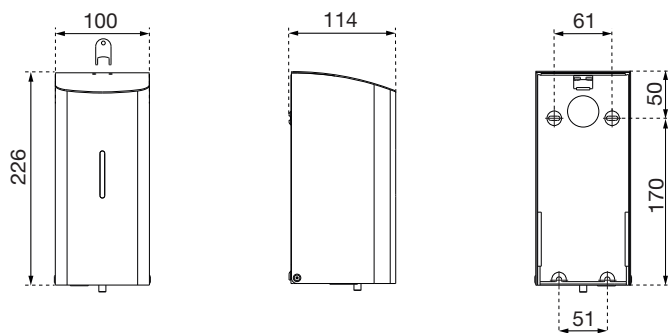
## SOAP AND DISINFECTANT DISPENSER WITH SENSOR, 0.5 LITER

ALPHA SERIES

AIR-WOLF GmbH  
Waschraum- und Hygienetechnik  
Unterhachinger Strasse 75  
D-81737 München  
Telefon +49 (89) 420790-10  
Telefax +49 (89) 420790-70  
air-wolf@air-wolf.de  
www.air-wolf.de

Ein Unternehmen der  
Wolf-Gruppe

**AIR-WOLF**



### TENDER SPECIFICATION

Soap and disinfectant dispenser with sensor for 500 ml liquid soap and hand disinfectant, stainless steel white coated, inner container and pump unit replaceable, convertible into foam soap or spray pump dispenser by replacing the pump, filling from above directly in the dispenser itself or by removing the refill container for filling outside the dispenser, pump made of plastic with low-lying suction position for complete emptying of the filling material, automatic triggering by infrared sensor, dosing quantity approx. 0.8-1.1 ml / stroke, with standard lock and filling level indicator, mains-independent, battery-operated with four 1.5 volt batteries (4 included in delivery), four-point fixing, including fixing material and key, for surface mountin

### DIMENSIONS

H x W x D 226 x 100 x 114 mm  
Weight 1,45 kg

### AREAS OF APPLICATION

Universally applicable, also in public, highly frequented and vandalism-prone areas: Airports, stadiums, event halls, gastronomy, schools, universities, discotheques, municipal buildings, retail stores, law firms, offices, theaters, cinemas, hotels, wellness, etc.

### MOUNTING TIP

If possible, mount the dispenser directly above the washstand, a storage surface or drip tray. In this way, liquid dripping from the hands cannot cause a risk of slipping on the floor. When mounting, please ensure that the distance between the bottom edge of the dispenser and the wash-basin is at least 8 cm.

### ALTERNATIVE SURFACE FINISHES

Soap and disinfectant dispenser  
brushed stainless steel Art. 60-200

Soap and disinfectant dispenser  
stainless steel matt black coated Art. 60-201



Art. 60-200



Art. 60-201