

ART. 60-142

SOAP AND DISINFECTANT DISPENSER

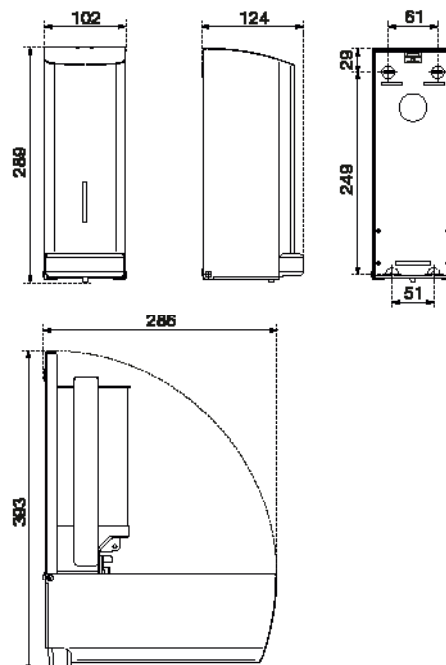
ALPHA SERIES

AIR-WOLF GmbH
Waschraum- und Hygienetechnik
Unterhachinger Strasse 75
D-81737 München

Telefon +49 (89) 420790-10
Telefax +49 (89) 420790-70
air-wolf@air-wolf.de
www.air-wolf.de

Ein Unternehmen der
Wolf-Gruppe

AIR-WOLF



TENDER TEXT

Soap and disinfectant dispenser for 1,200 ml liquid soap or disinfectant, brushed stainless steel housing, brushed stainless steel push-button, replaceable inner container with pump, filled from the top direct into the dispenser itself or by removing the refill container for filling outside the dispenser, push-button operation, dosage amount approx. 1.3 ml/stroke, with standard lock and fill display, rounded top to prevent objects being put down, pump made of plastic at the lowest point so that potential contamination of the liquid soap can be prevented by regular and complete emptying, four-point mounting, including mounting materials and key, for surface installation

DIMENSIONS

H x W x D 289 x 102 x 124 mm
Weight 1.65 kg

APPLICATION AREAS

Designed for universal use, including in public areas that are heavily frequented and at risk of vandalism: airports, stadiums, eventhalls, restaurant and food service industry, universities, nightclubs, communal buildings, shops, chambers, offices, theatres, cinemas, hotels, spas, etc., not suitable for kindergartens and primary schools

MOUNTING TIP

Install soap dispensers directly above the washbasin or shelf space if possible. This way liquid soap that drops from hands does not cause a slipping hazard on the floor.

ALTERNATIVE SURFACE DESIGNS

AIR-WOLF Soap and Disinfectant Dispenser
Black coated stainless steel, Art. 60-144

AIR-WOLF Soap and Disinfectant Dispenser
White coated stainless steel, Art. 60-146



Art. 60-144



Art. 60-146