

ART. 60-422

TOILET BRUSH HOLDER

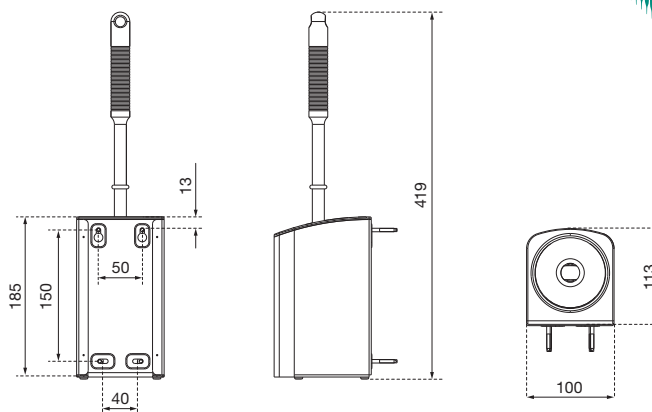
ALPHA SERIES

AIR-WOLF GmbH
Waschraum- und Hygienetechnik
Unterhachinger Strasse 75
D-81737 München

Telefon +49 (89) 420790-10
Telefax +49 (89) 420790-70
air-wolf@air-wolf.de
www.air-wolf.de

Ein Unternehmen der
Wolf-Gruppe

AIR-WOLF



TENDER TEXT

Toilet brush holder with hidden brush head, top open version, removal of brush bottom-up, housing made of brass-colored coated stainless steel, RAL 260M, inner drip pot and brush made of black plastic, inner drip pot can be removed for cleaning, four-point mounting, including mounting materials, for wall mounting or stand-alone on the floor

DIMENSIONS

H x W x D 185 x 100 x 113 mm (without handle)
H x W x D 419 x 100 x 113 mm (with handle)
Gewicht 0,9 kg

AREAS OF APPLICATION

Designed for universal use, including in public areas that are heavily frequented and at risk of vandalism: airports, stadiums, eventhalls, restaurant and food service industry, universities, nightclubs, communal buildings, shops, chambers, offices, theatres, cinemas, hotels, spas, etc.,

MOUNTING TIP

To avoid hindering the cleaning of critical areas around the toilet seat, the toilet brush holder should be mounted on the wall but not hinder the user. To ensure the toilet brush is also actually used, it should be accessible to a user standing in front of the toilet seat by stooping slightly.

ALTERNATIVE SURFACE DESIGNS

AIR-WOLF Toilet Brush Holder
Black coated stainless steel, Art. 60-128

AIR-WOLF Toilet Brush Holder
Brushed stainless steel, Art. 60-129

AIR-WOLF Toilet Brush Holder
White coated stainless steel, Art. 60-130

AIR-WOLF Toilet Brush Holder
Matt white coated stainless steel, Art. 60-420

AIR-WOLF Toilet Brush Holder
Blue-green coated stainless steel, Art. 60-421



Art. 60-128



Art. 60-129



Art. 60-130



Art. 60-420



Art. 60-421