

ART. 35-860

SOAP DISPENSER FOR VANITY UNIT INSTALLATION,

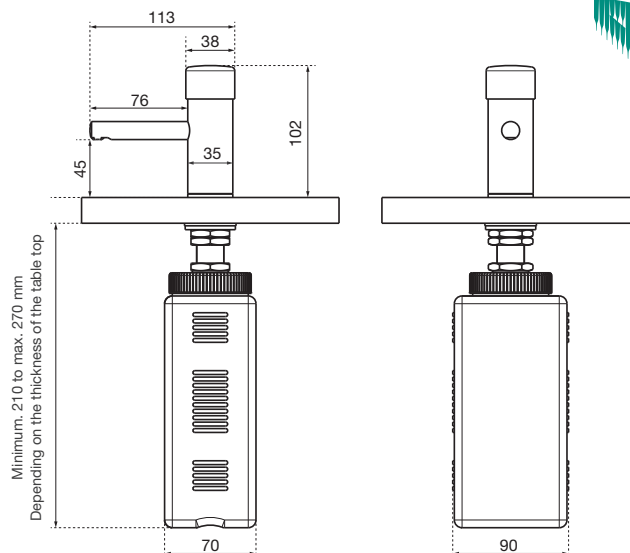
OMIKRON II SERIES

AIR-WOLF GmbH
Waschraum- und Hygienetechnik
Unterhachinger Strasse 75
D-81737 München

Telefon +49 (89) 420790-10
Telefax +49 (89) 420790-70
air-wolf@air-wolf.de
www.air-wolf.de

Ein Unternehmen der
Wolf-Gruppe

AIR-WOLF



TENDER SPECIFICATION

Soap and disinfectant dispenser for washbasin installation, actuation by pressing, stainless steel high-gloss chrome-plated, with 1.0 liter refill container, dosing quantity approx. 1.5 ml/stroke, filling from below via the unscrewable refill container, delivery additionally with 80 cm hose and wall bracket for the refill container, so that it can also be mounted separately from the dispenser within easy reach, for washbasin installation

ABMESSUNGEN

H x W x D (above table)	102 x 38 x 113 mm
H x W x D (under table)	236 x 90 x 70 mm
centre axis to outlet	87 mm
both items	23 - 26 mm
vanity unit thickness	max. 42 mm
weight	1,4 kg

EINSATZGEBIETE

Can be used in semi-public areas with only moderate visitor frequency and low risk of vandalism: Smaller office units or law firms, stores, staff toilets, hotels, doctors' surgeries, nursing homes, private households, etc.

SUITABLE WASHING LOTIONS / DISINFECTANTS

Suitable washing lotions and disinfectants can be found in our current catalog with the currently valid prices or on our homepage www.air-wolf.de.



The refill container can be mounted on the wall for better accessibility.